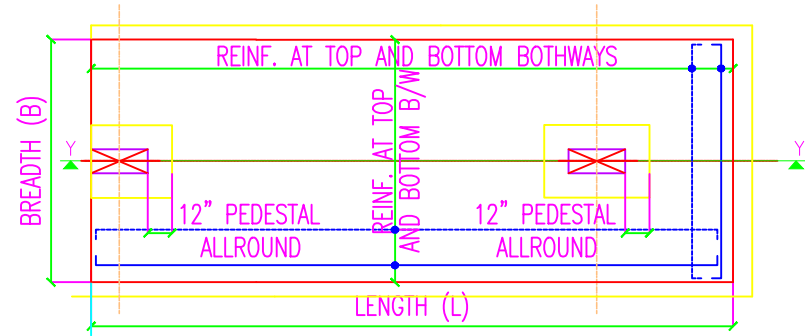
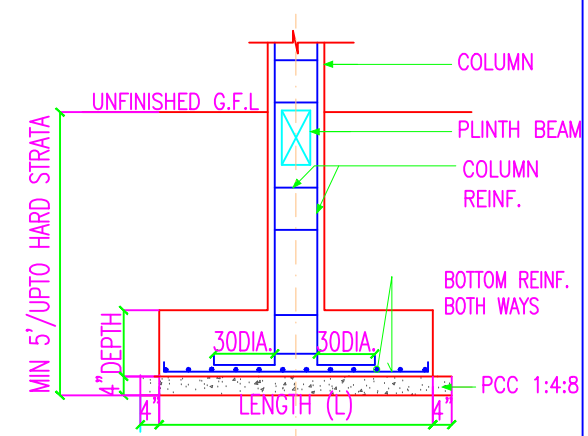


SECTION Y-Y

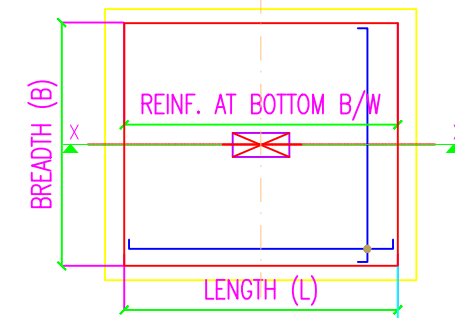


TYP. COMBINED FOOTING

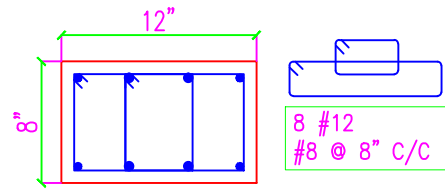
FOOTING TYPE	L	B	D	REINFORCEMENT BOTH WAYS
				AT BOTTOM
FOOTING F1	REFER PLAN	12"	12"	#10 @ 8" C/C
FOOTING F2	REFER PLAN	15"	15"	#10 @ 6" C/C
FOOTING F3	REFER PLAN	20"	20"	#10 @ 4" C/C (T&B)
FOOTING CF1	REFER PLAN	20"	20"	#10 @ 4" C/C (T&B)



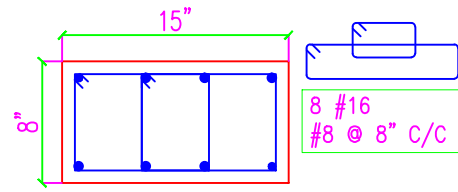
SECTION X-X



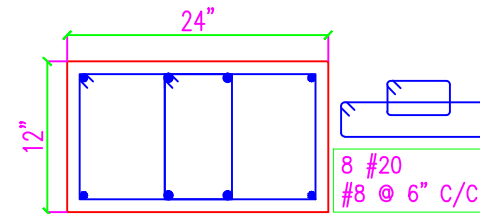
TYP. ISOLATED FOOTING



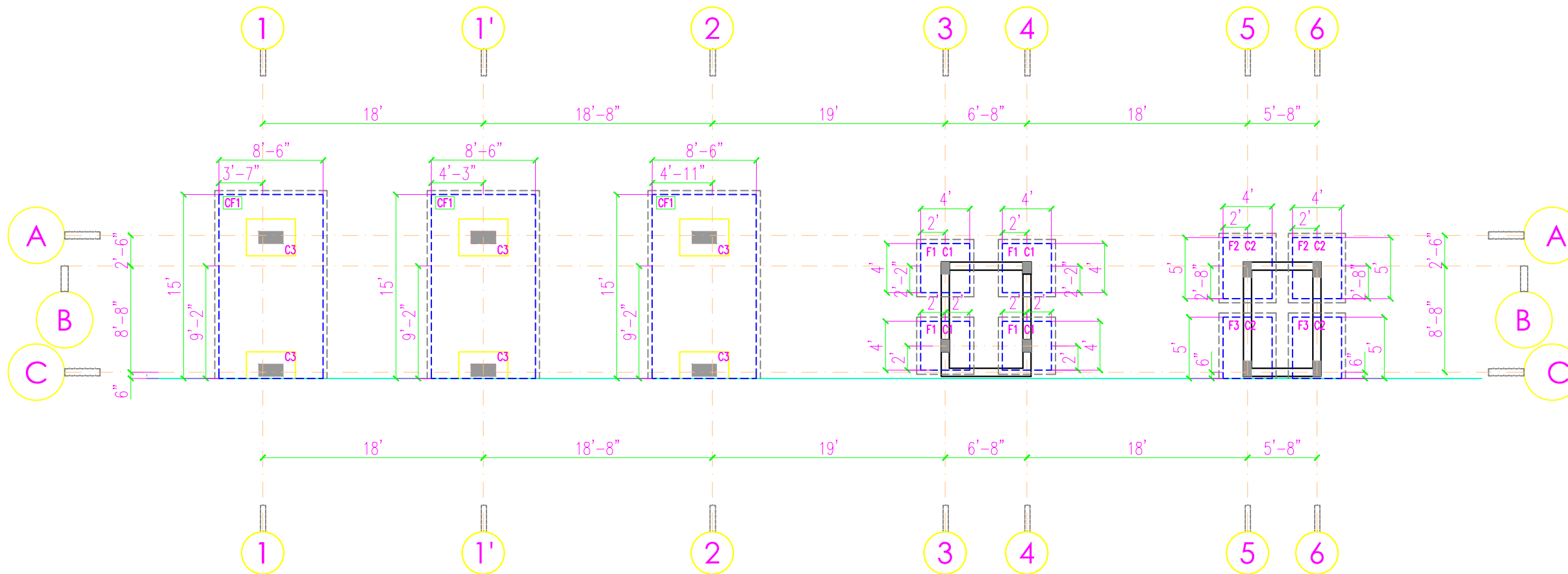
COLUMN C1(8'X12')



COLUMN C2(8'X15')



COLUMN C3(12'X24')



NOTES :

1. READ THIS DWG. ALONG WITH RELEVANT ARCH. DWG.
2. CLEAR COVER FOR MAIN REINFORCEMENT.
WALL - 0.5"
SLAB - 0.5"
3. # INDICATES DEFORMED TOR STEEL OF
FY=500 N/sqmm.
4. MIX OF CONCRETE - M25
5. ANY DISCREPANCY SHOULD BE BROUGHT TO THE
NOTICE OF ARCHITECT/ENGINEER
6. ANY CHANGE IN THE PATTERN OF SOIL SHALL BE
BROUGHT TO THE NOTICE OF STRL. ENGINEER.
7. BED CONCRETE SHALL NOT BE PROVIDED UNLESS
DEPTH OF EXCAVATION AND SOIL TYPE IS VERIFIED
BY STRL. ENGINEER.

1. READ THIS DWG. ALONG WITH REL. SERVICES DWG.
2. SLUDGE PIT LOCATION AND SIZE TO BE VERIFIED
WITH REL. ARCH./SERVICES DRG.

LEGEND :

REV No.	DATE	PARTICULARS

PURPOSE : **FOR EXECUTION**

PROJECT : **PROPOSED PROJECT
FOR GREEN WOODS**

TITLE : **FOUNDATION LAYOUT**

SCALE : 1:125	DEALT/CHKD. : SHIVRAJ
DATE : 31-1-14	DRAWING NO. : FE-SO-GW-FDN-A-00

ARCHITECTS
FOCIS EXIM PVT LTD
ARCHITECTURE, ENGINEERING
AND INTERIORS
No. 124, 1st Floor, 1st Cross 80ft Road
Ashwathanagar, Bangalore - 560094

STRUCTURAL CONSULTANTS
Naik Associates
CONSULTING STRUCTURAL ENGINEERS
Mysore road, Chamrajpet, Bangalore-560018
Mobile +919738339497
email naiksassociates1@gmail.com